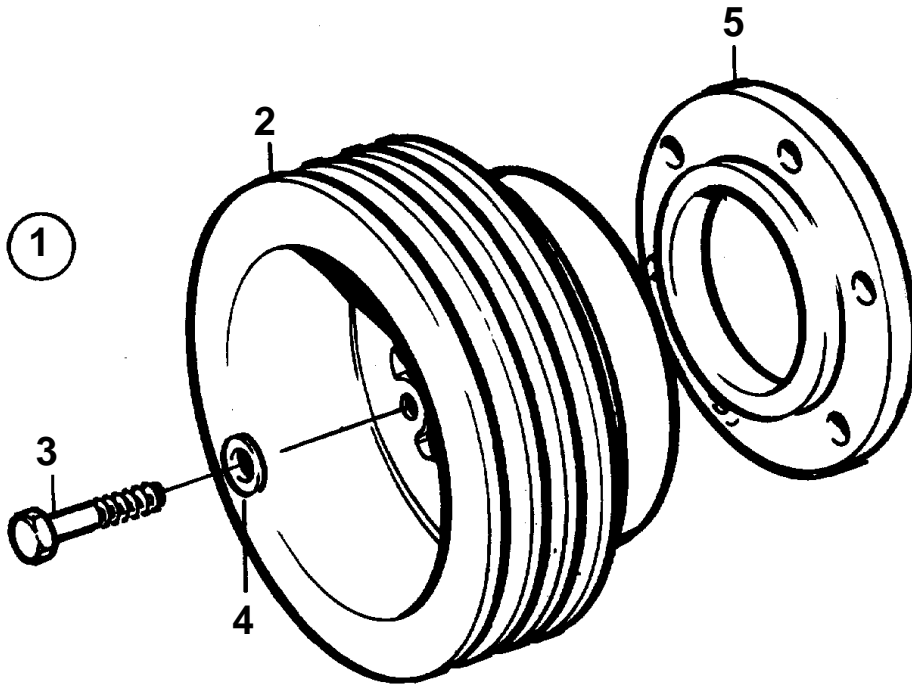


COMMON



COMMON

| REF | PART NO. | QTY | DESCRIPTION | NOTES |
|-----|----------|-----|-----------------|-------------------------------------------------------------|
| 1 | 861157 | 1 | Pulley | "HC50". FITS ENGINES WITH DAMPER THICKNESS T=35 AND T=41MM. |
| 2 | 861123 | 1 | · Pulley | "HC50" |
| 3 | 963233 | 6 | · Screw | L = 110 MM |
| 4 | 941907 | 6 | · Spring washer | |
| 5 | 860870 | 1 | · Spacer | |